

N-3000

Intelligent Digital Display Temperature Controller

USER MANUAL

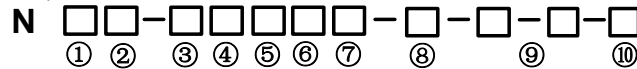
Please read this manual thoroughly for the instruction of correct usage before using this product and keep this manual as a reference.

▶ CAUTION WHEN OPERATING ◀

- 1 Before cleaning the controller, please ensure that the power is switch off.
- 1 Please remove stains on the display panel by using a soft cloth only.
- 1 No scrubbing or touching the display panel with any hard object, the display panel can be easily scratched.
- 1 Do not press any button on the display panel using pointy objects such as ballpoint pen or screw driver, it can easily scratch the panel or damage buttons on the panel.

I. Confirmation of the product

Please according to the following codes to affirm whether or not that your product received is in full agreement with the model that you selected:



① The color of shell

B: Black G:Grey

② Dimensions of the panel in millimeters

D: 96×96 E: 72×72

F: 96×48(Vertical Type)

F (H): 48×96(Horizontal Type)

G: 48×48

③ Series Code

3: Dual-Rows Display (Economical Model)

④ Control Type

4: On/off PID control (heating)

9: Continuous PID Control (heating)

⑤ Alarm Output 1

⑥ Alarm Output 2

0: Without Alarm 1: Upper Limit Deviation Alarm

2: Lower Limit Deviation Alarm

3: Upper and Lower Limit Deviation Alarm (With hold)

4: Upper Limit Absolute Value Alarm

5: Lower Limit Absolute Value Alarm

6: Upper and lower limit deviation range alarm

7: Upper and lower limit deviation alarm (without hold)

⑦ Output Type

Empty: Relay (Maximum 3A)

V: Logical Level Output Used for SSR

I₁: 0~10mA Continuous Current

I₂: 4~20mA Continuous Current

⑧ Input Type

K(0-999) J(0-790)

E(0-600) PT100(-99-500)

PT(0.0-99.9) CU50(0.0-99.9)

⑨ LRL — URL

⑩ Additional Control

Omit: no ON/OFF control

ON/OFF: has ON/OFF control

II. Installation

2.1 Caution when installing

Please install the controller in the following environment conditions:

- 1 Temperature: 0 to 50 degrees C
- 1 Atmospheric pressure: 8 to 106kPa
- 1 Humidity: 45% to 85% RH

Please avoid the following conditions during installation:

- 1 Rapid temperature changes, leading to dew condensation.
- 1 Corrosive gases (especially sulfide gas, ammonia, etc.) or flammable gases.

- 1 Direct vibration or shock
- 1 Contact with water, oil, chemicals, steam, smoke, or hot water
- 1 High concentrations of atmospheric dust, salt or iron particles
- 1 Large inductive interference, resulting in static electricity, magnetic fields or noise.
- 1 Direct sunlight.
- 1 Radiant heat sources, etc

2.2 Mounting Process

(1) Cut out rectangle holes on the panel for installing the controller according to the required hole size.

When installing more than one controller, the minimum horizontal and vertical distance between two holes should be 25mm and 30mm respectively.

(2) Insert the controller into the hole on the panel.

(3) Insert mounting bracket in the slot for mounting the controller.

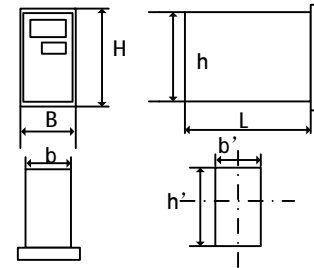
(4) Push the mounting bracket tightly to connect the instrument and the panel firmly

Accessories:

Two mounting brackets

One copy of manual

2.3 Dimension in millimeters



Model	H×B	h×b×L	h'×b'
ND	96×96	92×92×70	(92+1)×(92+1)
NE	72×72	68×68×70	(68+1)×(68+1)
NF	96×48	92×44×70	(92+1)×(44+1)
NH	48×96	44×92×70	(44+1)×(92+1)
NG	48×48	44×44×70	(44+1)×(44+1)

2.4 Key Performance

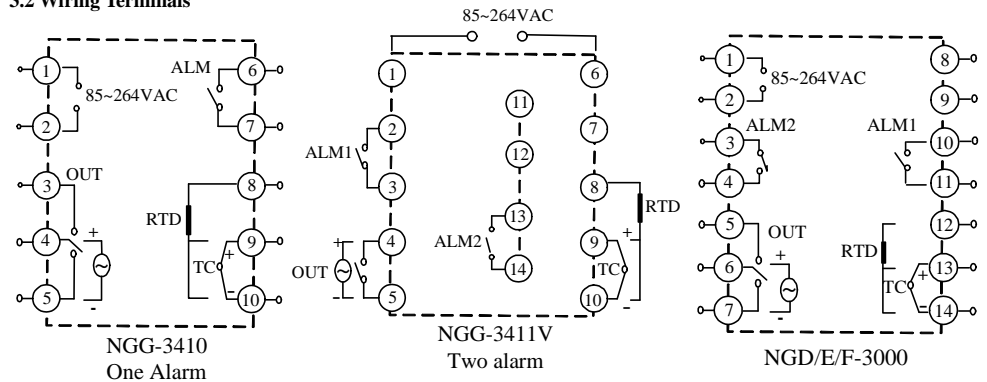
- 1) Measurement accuracy: 0.5%±1dig
- 2) Power: 220VAC or 85-264VAC
- 3) Operation Temperature: 0~50°C
- 4) Fuzzy PID control
- 5) This product conforms with the "Q/SQG01-1999 Intelligent Digital Display Adjustor" Standard Regulation.

III. Wiring

3.1 Caution when wiring

- (1) Please use the specified compensation wire for thermocouple input.
- (2) To avoid the influence of inductive noise, input signal wires should be separated from electric power lines or load lines.

3.2 Wiring Terminals



IV. Configuration of Controller's Panel



①(PV) Present Value Display (RED)

- Display Measured Value.
- Display variety of prompt symbols according to the controller status.

②(SV) Set Value Display (GREEN)

- Display Set point Value.
- Display the variety of parameters according to controller status.

③Indicator

- Auto-tuning indicator (AT), flash green during operating.
- Control output indicator (OUT), solid green when active.
- Alarm output indicator (ALM), solid red when active.

④Function Key

- Call out, update and confirm parameters.

⑤SHIFT KEY: <<<

- Select the parameter and the On/Off state of the control output as required.

⑥▼、▲ Adjusting Key

- To adjust numbers and start/quit auto tuning.

V. Operation

5.2 Functional Description Specification

- After the controller is switched on, the PV display window shows Inp and SV display shows the graduation mark of the temperature sensor. After 2 seconds, the PV display shows the upper limit of the measurement range and the SV display shows the lower limit of the measurement range. After 2 more seconds, the PV display shows the Measurement Value and the SV display shows the Set Point Value then the system will get into its normal operation state.
- How to set the temperature value: Press the SET key, the PV display shows SP value. Press the <<< key so the number needs change flashes, then press the ▼ or ▲ key until the desired value is reached on the SV display. Press SET KEY, system return to its standard model state.
- How to set the Control Parameters': Pressing the SET KEY more than 4 seconds, the PV display window will show the prompt symbol of the control parameter (Details are listed in the table below). P. Press the <<< key so the number needs change flashes, then press the ▲ or the ▼ key to reach the desired value. Keep pressing the SET key, the PV display window will show individual parameters symbol accordingly, press the <<< key so the number needs change flashes, then press the ▲ or the ▼ key to reach the needed value for individual parameter. Press the SET KEY again for more than 4 seconds, system will return to its standard model state.
- If 0000 is appeared on the lower part of the PV display window, the thermocouple is connected in the reverse order. If 0000 is appeared on the upper part of the PV display window, the thermocouple is in open circuit state or the measured temperature exceeded limit of upper or lower boundary.
- The Auto-tuning Function for the controller: After pressing the ▲ KEY for more than 4 seconds, the AT indicator will flash, the controller starts its Auto-Tuning process. When the AT indicator is off, the new PID parameter will be applied.

- ON/ OFF control: Under PV/SV display mode, press the <<< KEY for more than 4 seconds to stop the output, the indicator will turn off, the SV display window will display OFF, which means the controller has manually turn off output. Then press <<< key for more than 4 seconds, it will return to normal state.

5.2 Table of Parameters:

Prompt Symbol	Name	Setting Range	Illustration	Beginning Value
AL1	Alarm 1 Setting	0...Range	Setting of Alarm 1, Insensitive interval of alarm is equal to a constant value 0.4	50 or
AL1		℃		50.0
AL2	Alarm 2 Setting	0...Range	Setting of Alarm 2, Insensitive interval of alarm is equal to a constant value 0.4	50 or
AL2		℃		50.0
P	Proportional band	0...300	Proportional action adjusts: The more the value of P, the less the proportional action and the less the system gain. (P=0 is ON/OFF Control, ArH is the upper limit of the dead- zone and ArL is the lower limit of the dead- zone)	30 or
P		℃		30.0
I	Integral Time	0...999	Integral action time constant, the more the value of I, the less the Integral action I=0 is PD Control, Ar is for eliminate the steady state error and reset	240
I		Seconds		
d	Differential Time	0...999	Differential time: The more the Value of D, the more the differential action, which can overcome overshoot (D=0 is PI Control)	60
d		Seconds		
Ar	Overshoot restrain (Proportion re-set) (Insensitive interval of ON/OFF Control)	0(0.0)~100(100.0%)	PID: Used to restrain Overshoot (Ar is set to 1.5~2 times of the output empty ratio in the steady state of system) ON/OFF control: Ar is divided into ArH and ArL, ArH is the upper limit of the dead- zone and ArL is the lower limit of the dead- zone.	100
Ar				
T	Control Cycle	1...100	When the relay output <20s, SSR and Si-controlled switch transwitch <2s, continuous output T is equal to 1s, only acting on heating side	20
T		Seconds		
Pb	Offset of the Process Value	Full Range	Using for correct the measurement error caused by the sensor and the compensate line of the thermocouple	0 or 0.0
Pb				
LCK	Coded lock	000, 001, 002	000: All parameters can be updated	000
LCK			001: Only the Set Point Value can be updated	
LCK			002: All parameters cannot be updated	

Note: Each function parameter in the table can change the control output.

Shanghai Yatai Instrumentation Co.,Ltd.

Address: 128 Zhenyuan Road, Shanghai, China
 Tel: +8621- 66186368/66186369 (Chinese)
 +8621- 66186386 (English)
 Fax: +8621- 66186226 Email: yatai@yatai.sh.cn
 Website: http://www.yatai.sh.cn
 Technical Support: +862136160962 (Chinese)